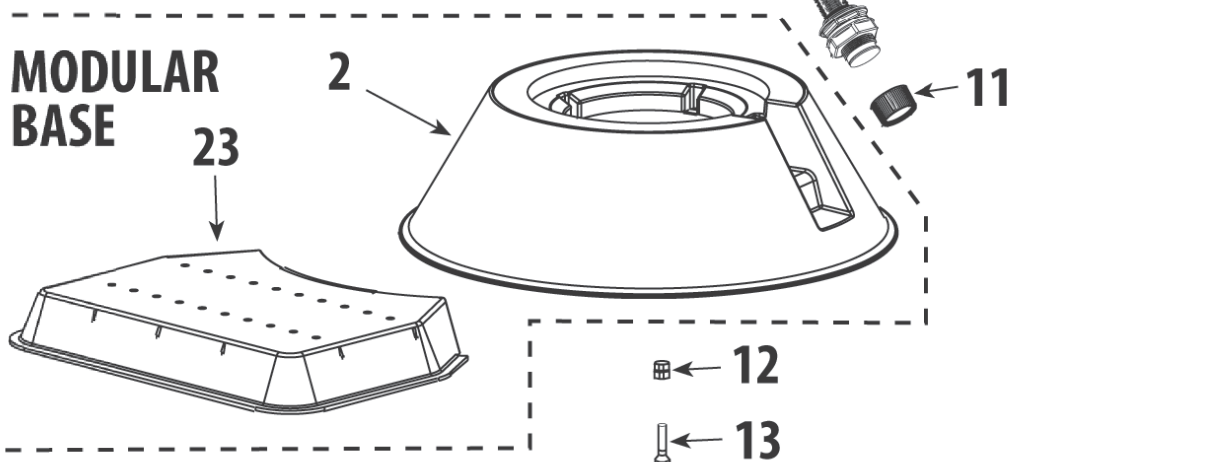


Multi-Port Valve Assembly



Multi-Port Valve Assembly Replacement Parts

1	600-9600	Multi-Port Lid Assembly
1b	600-9500	Diverter Valve Assembly with Gasket
1c	805-0254	O-Ring - Lid
1d	602-1931	Lid Handle Only
1e	711-1910B	Diverter Gasket (Spider) <i>(Note: purchasing gasket glued into diverter by factory recommended)</i>
2	819-0010	Lid Screw
3	820-0013	Serrated Hex Nut
4	800-0100	Split-Nut Bolt and Nut Kit
5	800-0150	O-Ring Kit with Pin and Washer
6	827-0002	Spring

Item	Part No.	Description
1	505-0161	16" Sand Filter Body with Threaded Sleeve Assembly
	505-0191	19" Sand Filter Body with Threaded Sleeve Assembly
	505-0221	22" Sand Filter Body with Threaded Sleeve Assembly
	505-0261	26" Sand Filter Body with Threaded Sleeve Assembly
2	672-7211	Modular Filter Base
3	WVS002	Multi-Port Valve Assembly - Clamp Style <i>(2001 and Earlier)</i>
3b	WVS003	Multi-Port Valve Assembly - Split-Nut Style <i>(2002 to Present)</i>
4	830-3000	Pressure Gauge
5	711-1920	Collar Gasket <i>(for Clamp Style) (2001 and Earlier)</i>
5b	805-0435	O-Ring - Multi-Port Valve <i>(for Split-Nut Style)</i>
6	505-2070	Collar Assembly - Clamp Style <i>(2001 and Earlier)</i>
6b	505-3000	Threaded Sleeve Assembly <i>(2002 to Present)</i>
6c	505-3010	Split-Nut Assembly <i>(included with WVS003)</i>
7	502-2011	Sand Fill Guide
8	505-2040	Lateral and Manifold Assembly - 16" Filter
	505-2050	Lateral and Manifold Assembly - 19" Filter
	505-2060	Lateral and Manifold Assembly - 22" Filter
	505-2080	Lateral and Manifold Assembly - 26" Filter
9	505-1930	Lateral - Thread Style <i>(2003 and Earlier)</i>
	505-1950	Lateral - Twist-Lock Style <i>(2004)</i>
10	505-2020	Drain Assembly
11	505-2030	Drain Cap Assembly
12	820-0017	3/8" Flat Washer
13	819-0016	3/8" Bolt - 16 x 2" Hex - 22" & 26" Sand Filter
	819-0019	3/8" Bolt - 16 x 1 1/2" Hex - 19" Sand Filter
	819-0020	3/8" Bolt - 16 x 1 1/4" Hex - 16" Sand Filter
14	805-0224	O-Ring - 1 1/2" Buttress x 1 1/2" MPT Fitting
15	417-4161	1 1/2" Buttress x 1 1/2" MPT Tailpiece
16	711-4000	1 1/2" Union Gasket
17	550-1841	Return Sweep Assembly
18	872-0011	Hose Clamp - Stainless Steel
19	872-9002	Corrugated Hose - Black - 1 1/2" x 6 ft.
20	550-1801	PVC Flex Hose Assembly - 16" Sand Filter
	550-1811	PVC Flex Hose Assembly - 19" Sand Filter
	550-1821	PVC Flex Hose Assembly - 22" Sand Filter
	550-1831	PVC Flex Hose Assembly - 26" Sand Filter
21	711-4010	2" Union Gasket
22	425-1928	Waste Adapter Fitting
23	672-7201	Pump Base
24	505-1970	Collar Wrench for Split-Nut Threaded Style
25	672-7241	Standard One-Piece Base